

WARING COMMERCIAL

Europe Immersion Blenders

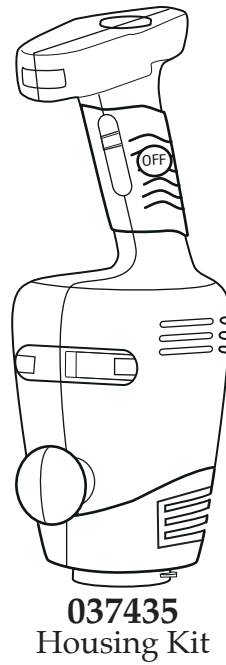
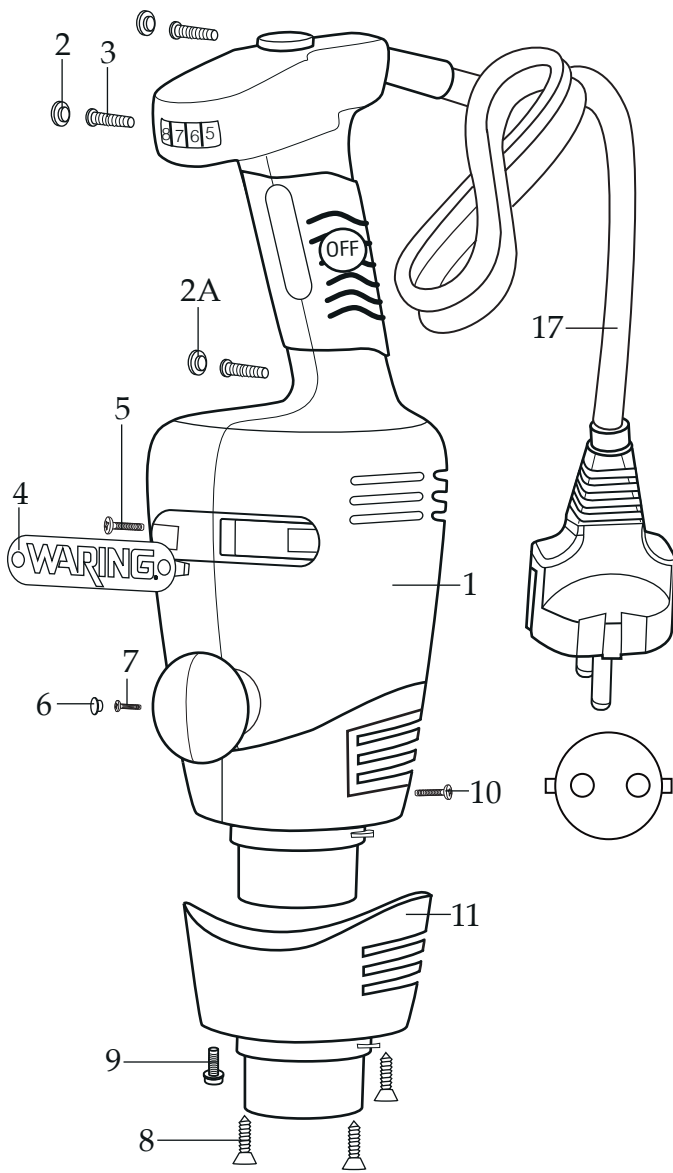
WSB50CE 12" shaft

WSB55CE 14" shaft

WSB60CE 16" shaft

WSB65CE 18" shaft

WSB70CE 21" shaft

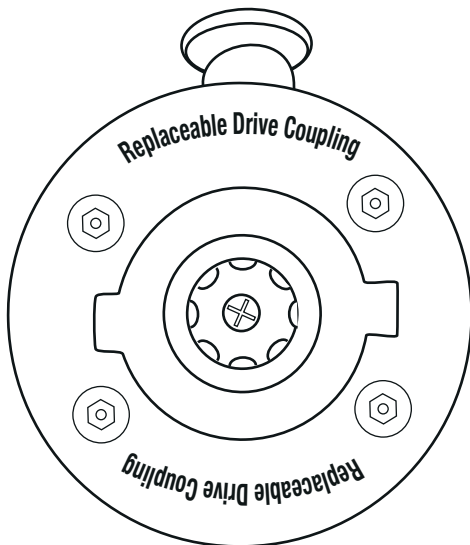


503357 Kit Parts Included (*part changed in 2007*)

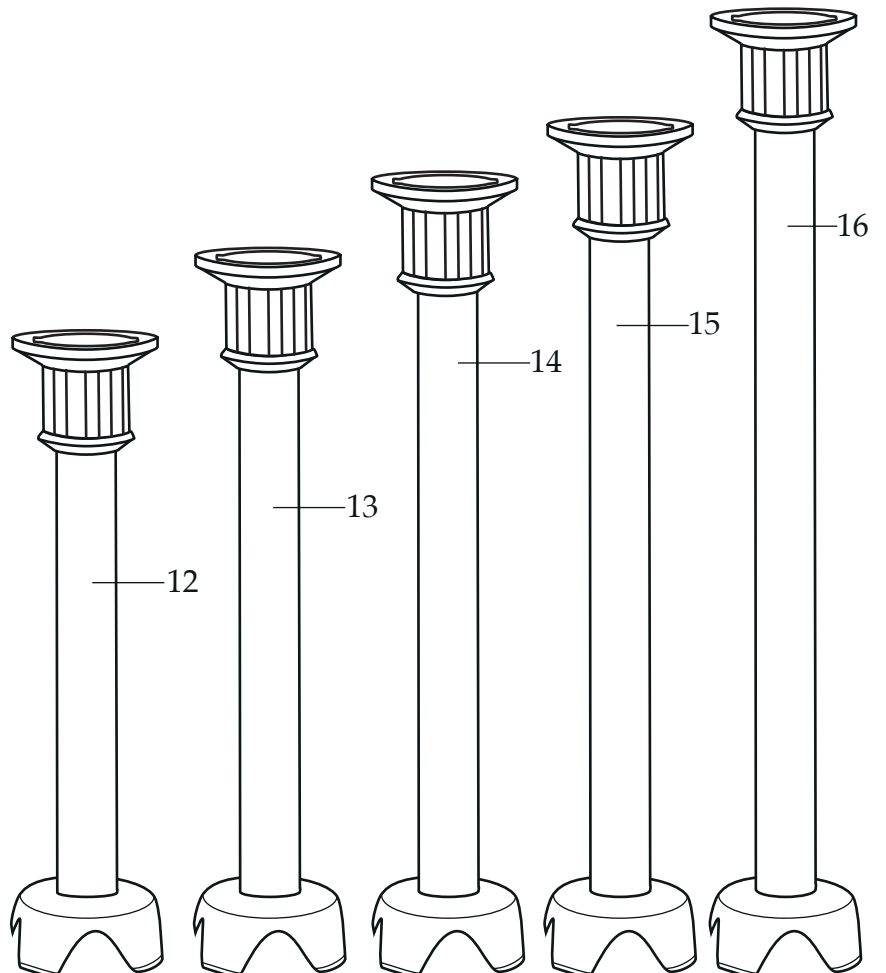
Power Pack Coupling Tool

Shaft Coupling Tool

(current) (old style)



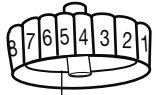
To use the 503357 kit the bottom of your Power Pack must look like this.



Catalog/Model

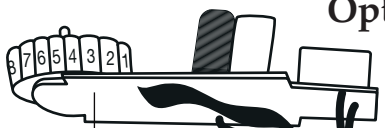
WSB50CE
WSB55CE
WSB60CE
WSB65CE
WSB70CE

Waring Factory Service Center
314 Ella T. Grasso Ave.
Torrington, CT 06790
Tele. 1-800-269-6640
Fax 860-496-9017
www.waringcommercialproducts.com

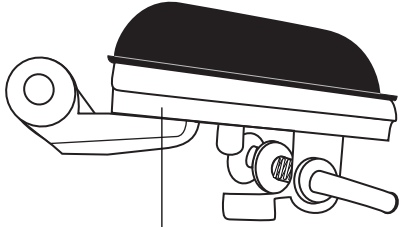


032650
Speed Control Knob

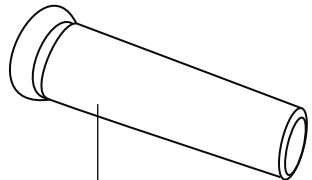
WSB50CE-WSB70CE Internal and Optional Components



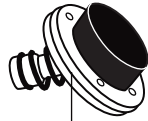
503281
PCB Board Assembly



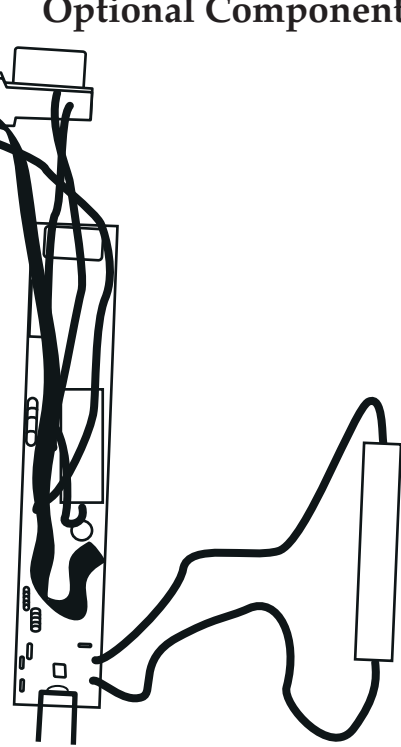
038173 - Trigger Assembly



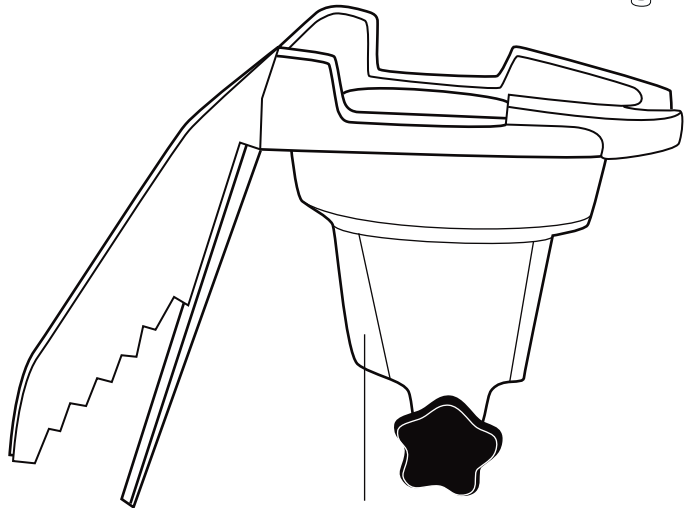
037922 - Cord Bushing



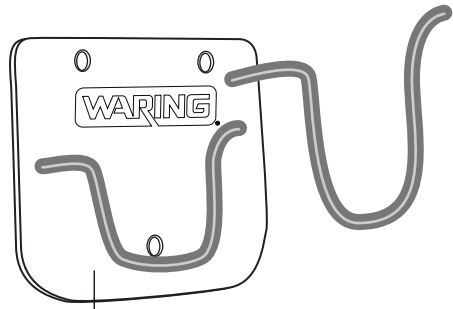
038174 - Button Assembly



033666 - Cord Clamp **033654** - Screws (2 required)



WSBBC - 033016
Bowl Clamp



WSB01 - 033017
Wall Hanger

Catalog/Model

WSB50CE
WSB55CE
WSB60CE
WSB65CE
WSB70CE

Waring Factory Service Center
314 Ella T. Grasso Ave.
Torrington, CT 06790
Tele. 1-800-269-6640

Fax 860-496-9017
www.waringcommercialproducts.com



| Illustration# | Part# | Description |
|----------------------|--------------|-------------------------------|
| 1 | 036313 | WSBPPCE Power Pack |
| 2 | 029839 | Hole Plug (2 required) |
| 2A | 029905 | Hole Plug |
| 3 | 029840 | Screw (3 required) |
| 4 | 029841 | Name Plate Panel |
| 5 | 029842 | Screw |
| 6 | 029843 | Hole Plug |
| 7 | 029844 | Screw |
| 8 | 029845 | Screw (3 required) |
| 9 | 029846 | Screw |
| 10 | 029844 | Screw |
| 11 | 030440 | Housing Cover |
| 12 | 502956 | 12" Shaft Assembly with Blade |
| 13 | 502957 | 14" Shaft Assembly with Blade |
| 14 | 502958 | 16" Shaft Assembly with Blade |
| 15 | 503002 | 18" Shaft Assembly with Blade |
| 16 | 503003 | 21" Shaft Assembly with Blade |
| 17 | 035896 | Cord |